

Sundance® Spas

Hot Tub Specification Handbook



Important Safety Instructions - All Models



©2021 Sundance® Spas, Inc. Sundance® Spas may make product modifications and enhancements. Therefore, specifications may change without notice. Dimensions are approximate and for reference only.



CAUTION: Always measure each hot tub for exact dimensions before designing its foundational support and/or decking.



When designing a foundational support, always account for the following load factors:

1. Filled hot tub weight, plus (+)
2. Combined occupant weight at maximum seating capacity, plus (+)
3. Weight of support decking, when applicable.




The technical data given in this publication is for reference purposes only. It implies no warranty of any kind.



Spa specifications, dimensions and operations are subject to change without notice.

Sundance® Spas 680 Ramona™

Specifications

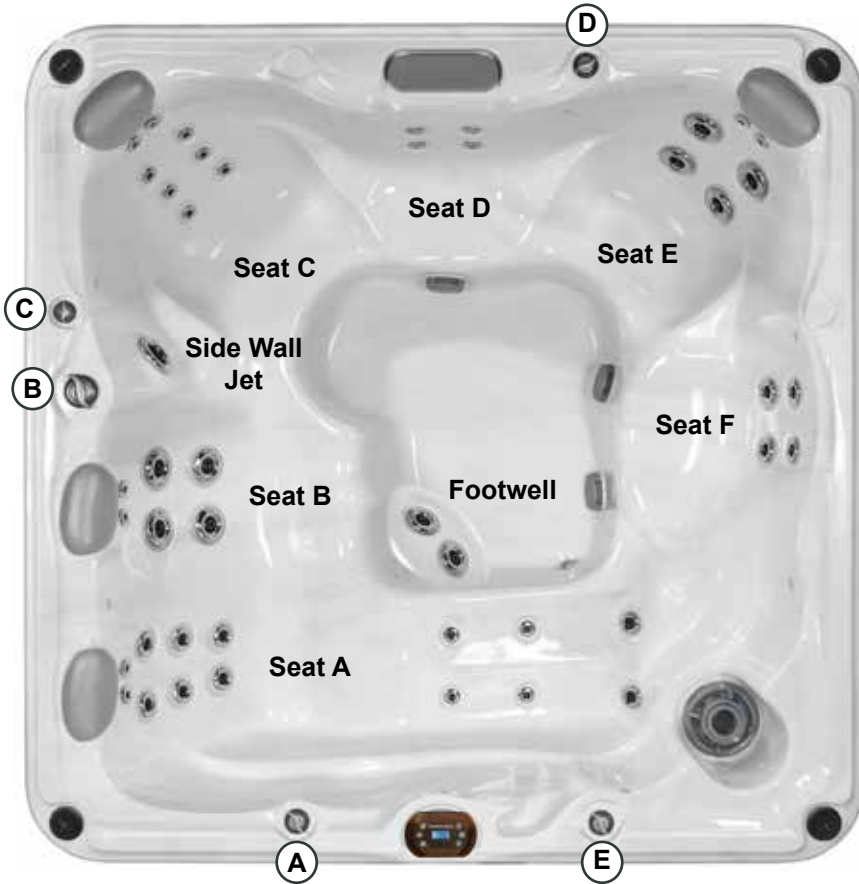
<p>Dimensions:.....89" x 89" x 36" (226 cm x 226 cm x 91.44 cm)</p> <p>Perimeter.....356" (904.2 cm)</p> <p>Seating Capacity:.....5-6 Adults</p> <p>Dry Weight:.....734 lbs (333 kg)</p> <p>Filled Weight (Spa Volume):.....5,071 lbs (2,300 kg)</p> <p>Filled Weight (Average Fill):.....4,153 lbs (1,884 kg)</p> <p>Water Capacity (Spa Volume):.....520 US Gal (1,968 Liters)</p> <p>Water Capacity (Average Fill):.....410 US Gal (1,552 Liters)</p> <p>Controls:.....Solid-State Electronic Controls with LCD Readout, Programmable Water Temperature, Filtration, and Heat Cycles</p> <p>Water Delivery:.....2 High Flow Pumps</p> <p>Pump 1:.....North America (60 Hz): 2-Speed/2.5 HP Continuous, 11.0A Max., 56 Frame Export (50 Hz): 2-Speed/2.0 HP continuous, 8.0A max.</p> <p>Pump 2:.....North America (60 Hz): 1-Speed/2.5 HP Continuous, 10.0A Max., 56 Frame Export (50 Hz): 1-Speed/2.0 HP continuous, 8.0A max.</p> <p>Optional Pump 3:.....N/A</p> <p>Total Hydrojets:.....45</p> <p>Seat A Jets:.....2 DX, 8 DXL, 4 DV</p> <p>Seat B Jets:.....2 DX, 2 DVX, 2 DVR</p> <p>Seat C Jets:.....2 DX, 6 DL, 1 DST (Sidewall)</p> <p>Seat D Jets:.....4 DL</p> <p>Seat E Jets:.....2 DX, 4 DVR</p> <p>Seat F Jets:.....4 DXL</p> <p>Foot Well Jets (G):.....2 DVX</p> <p>Air Controls/Massage Selectors:...3/1</p> <p>Filter:.....50 ft² Filter Cartridge System</p> <p>Water Treatment:.....Factory installed CLEARRAY® Active Oxygen System</p> <p>Lighting:.....CL LED Lighting System (Interior Surround)</p> <p>Synthetic Cabinet:.....Available in Coastal, Mahogany, Autumn Walnut</p> <p>Shell Colors:.....North America: Platinum, Celestite (Gypsum), Sahara, Monaco, Midnight, Porcelain Export (50 Hz): All North America Colors</p> <p>Headrest:.....Four, 1-Piece Gray</p> <p>Heater:.....North America (60 Hz): 5.5 kW, High Flow Standard Export (50 Hz): 2.7 kW, High Flow Standard</p> <p>Electrical Requirements:.....North America (60 Hz): 240 VAC, 60 Hz@40A, 50A or 60A; Export (50 Hz): 230-240 VAC@1x20A or 1x32A, 2x16A or 1x16A/1x20A or 3x16A (see manual for more configurations); or Suitably Rated Circuit Breaker to Comply with Local Electrical Regulations. Certain Countries May Require 2 Power Inputs; Two GFCI/RCD Breakers are Required for This Configuration.</p> <p>Limited Warranty*:.....North America (60 Hz): 5 Years Shell, 3 Years Shell Surface, 3 Years Equipment and Controls, 3 Years Plumbing Component Leaks, 1 Year Cabinet, 1 Year Jets, 1 Year Stereo Export (50 Hz): 5 Years Shell, 3 Years Shell Surface, 3 Years Plumbing Component Leaks, 3 Years Equipment and Controls, 1 Year Cabinet, 1 Year Jets, 2 Years Stereo</p> <p>Waterfall Feature:.....Variable Valve Control</p> <p>Audio System (Optional):.....N/A</p> <p>Special Features (Optional):.....Factory Installed SmartTub™ module</p> <p>Alternative Insulation (Option):.....Yes</p>	
--	---

*(See Warranty Document for Specific Details)

Dimensions/Specifications Subject To Change Without Notice

Sundance Spas 680 Ramona

Operation/Seat Depths

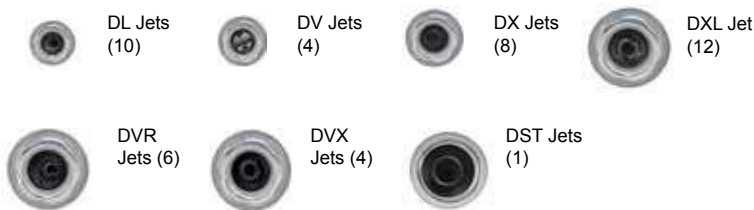


- (A)** Air Control - Activates Seat A Jets (2 DX, 8 DXL, 4 DV) + Seat B Jets (2 DX, 2 DVR, 2 DVX) + Seat F Jets (4 DXL)
- (B)** Massage Selector [Pump 1]- Adjusts Seat C Jets and Side Wall Jet + Seat D Jets + Seat E Jets
- (C)** Air Control - Activates Seat C Jets (2 DX, 6 DL)
- (D)** Air Control - Activates Side Wall Jet (1 DST) + Seat D Jets (4 DL) + Seat E Jets (2 DX, 4 DVR) + Footwell Jets (2 DVX)
- (E)** Waterfall Selector [Pump 1] - Controls Waterfall Output

- Jets Pump 1: Powers Seat C Jets + Side Wall Jet + Seat D Jets + Seat E Jets + Footwell Jets when running
- Jets Pump 2: Powers Seat A Jets + Seat B Jets + Seat F Jets

NOTE: Footwell Jets (2 DVX) are on at all times when jets pump 1 is running

45 Total Jets (Stainless Steel Escutcheons Standard)



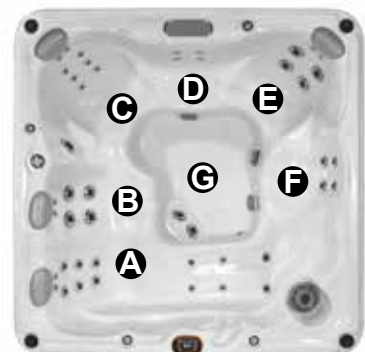
Spa Operation Subject To Change Without Notice

SEAT DEPTHS

A = 25.00" (63.50 cm)
B = 24.50" (62.23 cm)
C = 27.25" (69.22 cm)
D = 22.13" (56.20 cm)

E = 26.75" (67.95 cm)
F = 20.13" (51.12 cm)
G = 32.00" (81.28 cm)

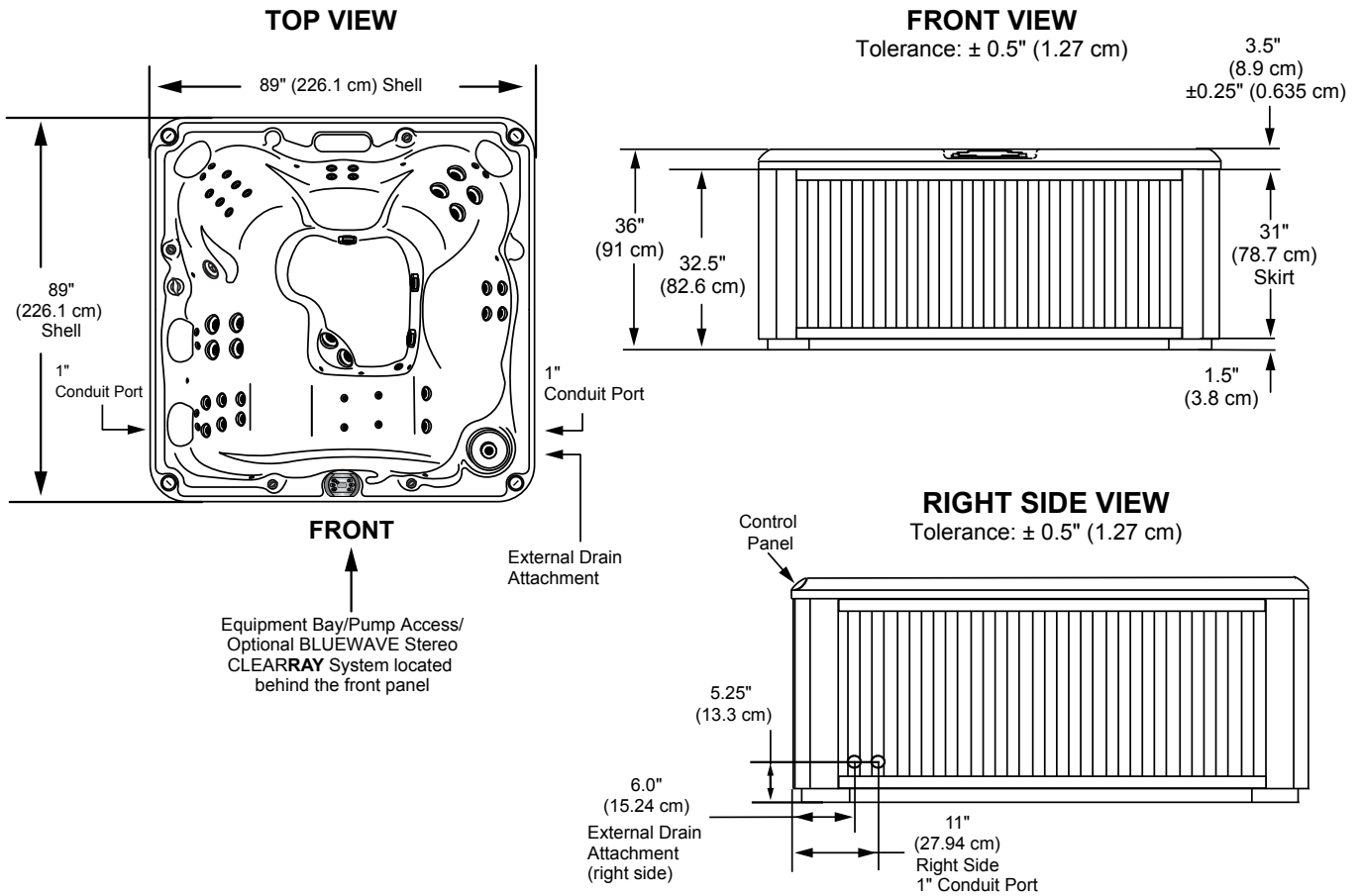
Listed dimensions represent distance from top of acrylic to lowest point in seat. **Tolerance ± 0.5" (1.27 cm).**



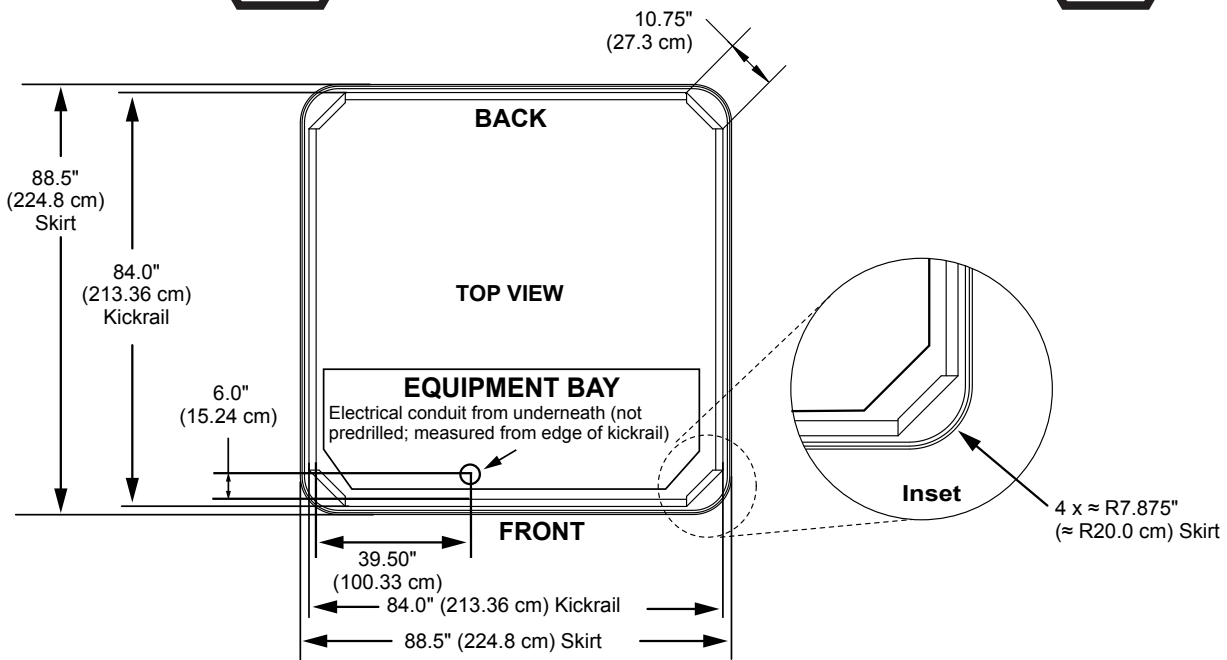
Dimensions/Specifications Subject To Change Without Notice

Sundance Spas 680 Ramona

Portable Dimensions



IMPORTANT! Always measure each hot tub for exact dimensions BEFORE designing its foundational support and/or decking.



Dimensions/specifications subject to change without notice. Tolerance: $\pm 0.5"$ (1.27 cm)

Dimensions/Specifications Subject To Change Without Notice