

# Sundance® Spas

## Hot Tub Specification Handbook



# Important Safety Instructions - All Models



©2021 Sundance® Spas, Inc. Sundance® Spas may make product modifications and enhancements. Therefore, specifications may change without notice. Dimensions are approximate and for reference only.



**CAUTION: Always measure each hot tub for exact dimensions before designing its foundational support and/or decking.**



When designing a foundational support, always account for the following load factors:

1. Filled hot tub weight, plus (+)
2. Combined occupant weight at maximum seating capacity, plus (+)
3. Weight of support decking, when applicable.



The technical data given in this publication is for reference purposes only. It implies no warranty of any kind.

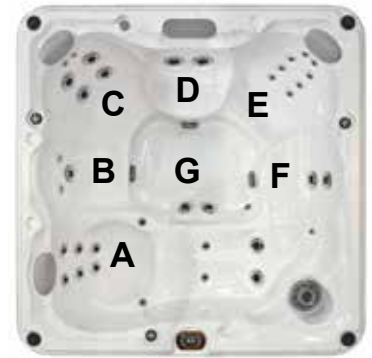


Spa specifications, dimensions and operations are subject to change without notice.

# Sundance® Spas 680 Peyton®

## Specifications

**Dimensions:**.....84" x 84" x 36" (213.5 cm x 213.5 cm x 91.44 cm)  
**Perimeter**.....336" (853.4 cm)  
**Seating Capacity:**.....6 Adults  
**Dry Weight:**.....654 lbs (297 kg)  
**Filled Weight (Spa Volume):**.....4,490 lbs (2,037 kg)  
**Filled Weight (Average Fill):**.....3,490 lbs (1,583 kg)  
**Water Capacity (Spa Volume):**.....460 US Gal (1,741 Liters)  
**Water Capacity (Average Fill):**.....340 US Gal (1,287 Liters)  
**Controls:**.....Solid-State Electronic Controls with LCD  
 Readout, Programmable Water Temperature,  
 Filtration, and Heat Cycles



**Water Delivery:**.....2 High-Flow Pump  
**Pump 1:**.....North America (60 Hz): 2-Speed/2.5 HP  
 Continuous, 11.0A Max., 56 Frame  
**Export (50 Hz): 2-Speed/2.0 HP continuous, 8.0A max.**  
**Pump 2:**.....North America (60 Hz): 1-Speed/2.5 HP Continuous, 10A max., 56 Frame  
**Export (50 Hz): 1-Speed/2.0 HP continuous, 8.0A max.**

**Total Hydrojets:**.....**35**  
**Seat A Jets:**.....4 DV, 2 DVX, 6 DXL  
**Seat B Jets:**.....2 DL, 1 DVX  
**Seat C Jets:**.....2 DX, 4 DVR  
**Seat D Jets:**.....2 DXT  
**Seat E Jets:**.....2 DX, 6 DL  
**Seat F Jets:**.....2 DVX  
**Foot Well Jets (G):**.....2 DVX

**Air Controls/Massage Selectors:**...3 Air Control; No Massage Selector  
**Filter:**.....50 ft<sup>2</sup> Filter Cartridge System  
**Water Treatment:**.....Factory installed CLEARRAY® Active Oxygen System  
**Lighting:**.....CL LED Lighting System (Interior Surround)  
**Synthetic Cabinet:**.....Available in Coastal, Mahogany, Autumn Walnut  
**Shell Colors:**.....North America: Platinum, Celestite (Gypsum), Sahara, Monaco, Midnight,  
 Porcelain  
**Export (50 Hz): All North America colors**

**Headrest:**.....Three, 1-piece gray  
**Heater:**.....North America (60 Hz): 5.5 kW 240V High Flow Standard  
**Export (50 Hz): 2.7 kW High Flow Standard**

**Electrical Requirements:**.....North America (60 Hz): 240 VAC@40A, 50A or 60A  
**Export (50 Hz): 230-240 VAC@1x20A or 1x32A, 2x16A or 1x16A/1x20A or  
 3x16A (see manual for more configurations); or Suitably Rated Circuit  
 Breaker to Comply with Local Electrical Regulations. Certain Countries  
 May Require 2 Power Inputs; Two GFCI/RCD Breakers are Required for  
 This Configuration.**

**Limited Warranty\*:**.....North America (60 Hz): 5 Years Shell, 3 Years Shell Surface, 3 Years Plumbing  
 Component Leaks, 3 Years Equipment and Controls, 1 Year Cabinet, 1 Year  
 Jets, 1 Year Stereo  
**Export (50 Hz): 5 Years Shell, 3 Years Shell Surface, 3 Years Plumbing  
 Component Leaks, 3 Years Equipment and Controls, 1 Year Cabinet, 1 Year  
 Jets, 2 Years Stereo**

**Waterfall Feature:**.....Variable Valve Control  
**Audio System (Optional):**.....N/A  
**Special Features (Optional):**.....Factory Installed SmartTub™ module  
**Alternative Insulation (Option):**.....Yes

\*(See Warranty Document for Specific Details)

Dimensions/Specifications Subject To Change Without Notice

# Sundance Spas 680 Peyton

## Operation/Seat Depths



**A** Air Control - Activates Seat A Jets (4 DV, 2 DVX, 6 DXL) + Seat B Jets (2 DL, 1 DVX) + Seat F Jets (2 DVX)

**B** Air Control - Activates Seat C Jets (2 DX, 4 DVR) + Footwell Jets (2 DVX)

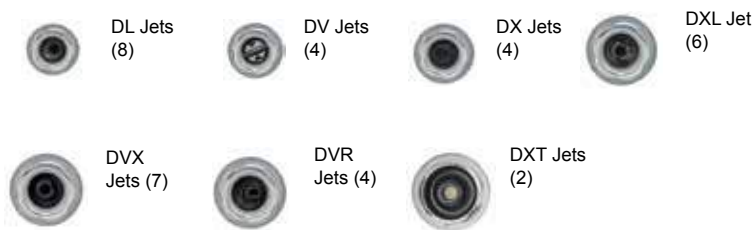
**C** Waterfall Selector [Pump 1] - Controls Waterfall Output

**D** Air Control - Activates Seat D Jets (2 DX) + Seat E Jets (6 DL, 2 DX)

- Jets Pump 1: Powers Seat A Jets + Seat B Jets + Seat F + Waterfall when running

- Jets Pump 2: Seat C Jets + Seat D Jets + Seat E Jet + Footwell Jets when running

### 35 Total Jets (Stainless Steel Escutcheons Standard)



Spa Operation Subject To Change Without Notice

## SEAT DEPTHS

**A = 25.00" (63.50 cm)**  
**B = 26.75" (67.95 cm)**  
**C = 27.50" (69.85 cm)**  
**D = 23.00" (58.42 cm)**

**E = 27.00" (68.58 cm)**  
**F = 20.50" (52.07 cm)**  
**G = 32.00" (81.28 cm)**

Listed dimensions represent distance from top of acrylic to lowest point in seat. **Tolerance ± 0.5" (1.27 cm).**

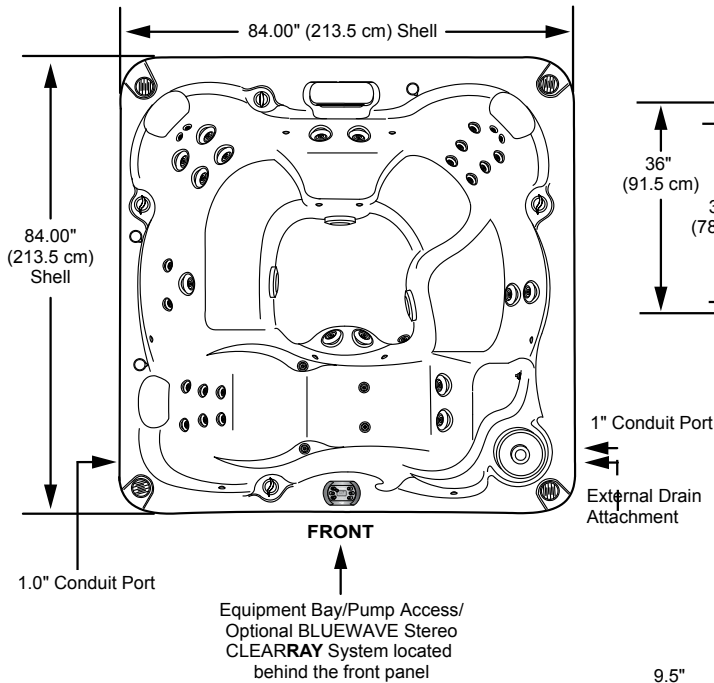


Dimensions/Specifications Subject To Change Without Notice

# Sundance Spas 680 Peyton

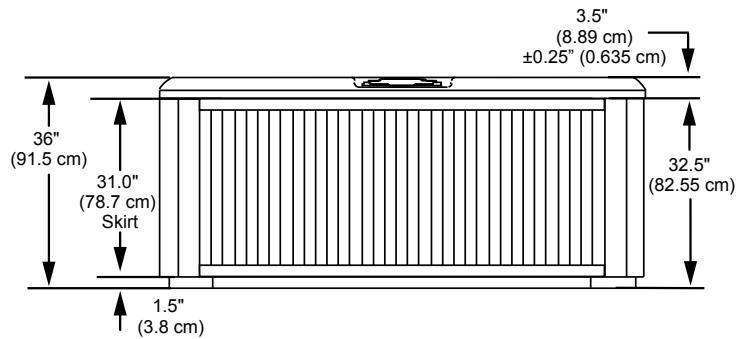
## Portable Dimensions

**TOP VIEW**



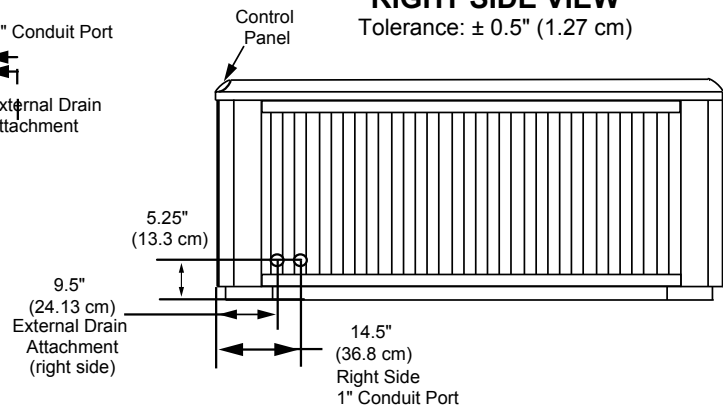
**FRONT VIEW**

Tolerance:  $\pm 0.5"$  (1.27 cm)

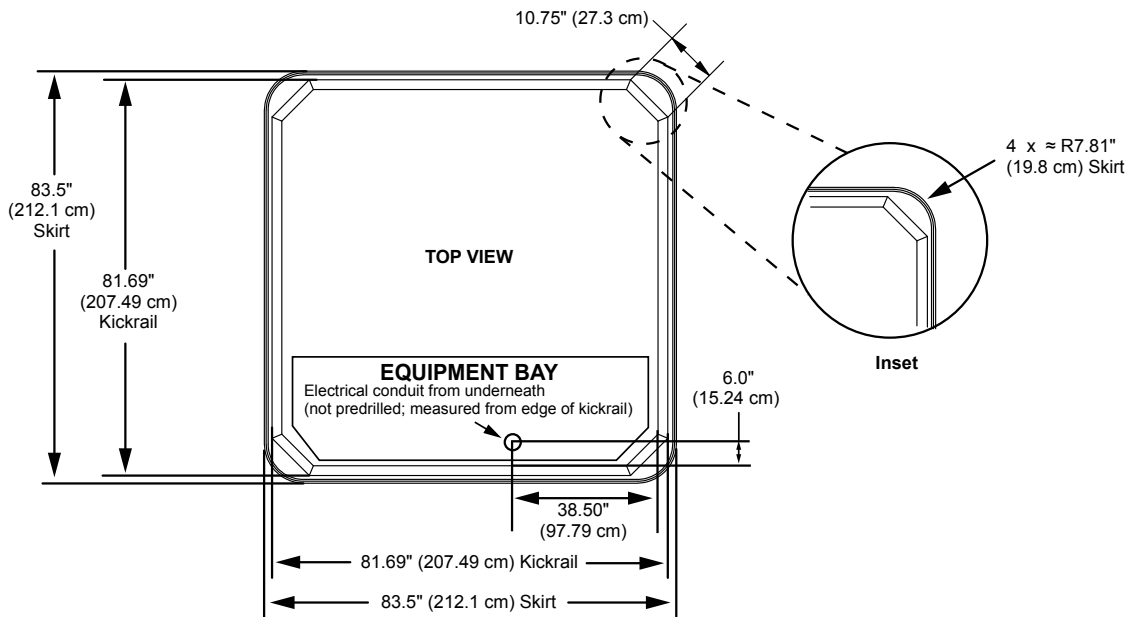


**RIGHT SIDE VIEW**

Tolerance:  $\pm 0.5"$  (1.27 cm)



**IMPORTANT! Always measure each hot tub for exact dimensions BEFORE designing its foundational support and/or decking.**



Dimensions/specifications subject to change without notice. Tolerance:  $\pm 0.5"$  (1.27 cm)

Dimensions/Specifications Subject To Change Without Notice