

# Sundance® Spas

## Hot Tub Specification Handbook



# Important Safety Instructions - All Models



©2021 Sundance® Spas, Inc. Sundance® Spas may make product modifications and enhancements. Therefore, specifications may change without notice. Dimensions are approximate and for reference only.



**CAUTION: Always measure each hot tub for exact dimensions before designing its foundational support and/or decking.**



When designing a foundational support, always account for the following load factors:

1. Filled hot tub weight, plus (+)
2. Combined occupant weight at maximum seating capacity, plus (+)
3. Weight of support decking, when applicable.




The technical data given in this publication is for reference purposes only. It implies no warranty of any kind.



Spa specifications, dimensions and operations are subject to change without notice.

# Sundance® Splash™ Paisley™

## Specifications

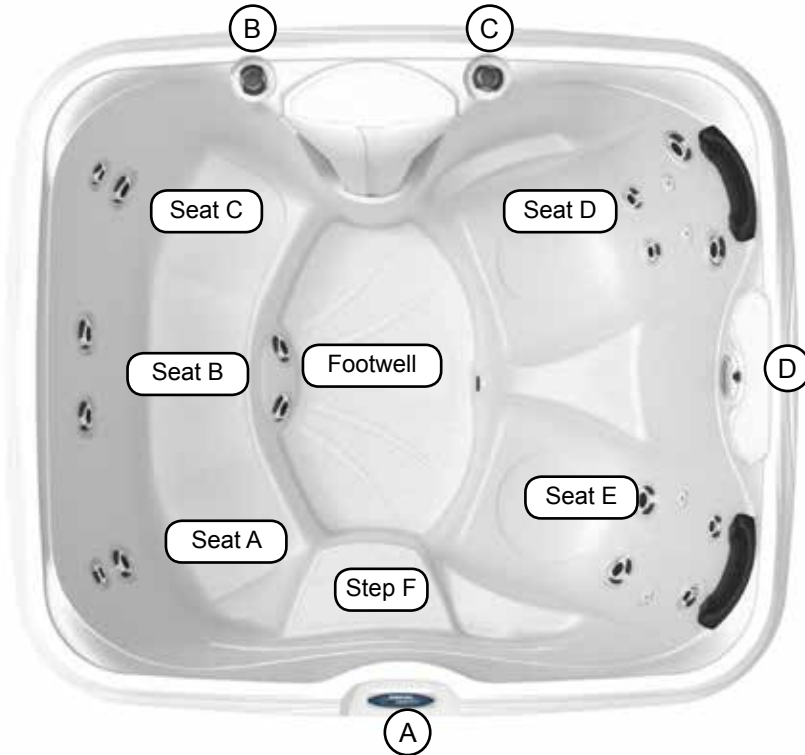
<b>Seating Capacity</b> .....	5 Adults	
<b>Perimeter</b> .....	292" (741.7 cm)	
<b>Dimensions</b> .....	78" x 68" x 32" (198 cm x 173 cm x 81 cm);	
<b>Dry Weight</b> .....	285 lbs (129 kg)	
<b>Filled Weight (Spa Volume)</b> .....	3,120 lbs (1,415 kg)	
<b>Filled Weight (Average Fill)</b> .....	2,404 lbs (1,090 kg)	
<b>Water Capacity (Spa Volume)</b> .....	340 US gallons (1,287 Liters)	
<b>Water Capacity (Average Fill)</b> .....	254 US gallons (961 Liters)	
<b>Electronic Controls</b> .....	Digital Touch Controller. Offers customizing of cleaning cycles and water temperature setting.	
<b>Pump 1</b> .....	North America (60 Hz): 2-Speed, 2.0 HPR continuous <b>Export (50 Hz): 2-Speed, 1.5 HP</b>	
<b>Pump 2</b> .....	N/A <b>Export (50 Hz): N/A</b>	
<b>Circulation Pump</b> .....	N/A	
<b>Total Jets</b> .....	20	
<b>Seat A Jets</b> .....	1 DirectionalMax1, 1 DirectionalMax2	
<b>Seat B Jets</b> .....	2 DirectionalMax1	
<b>Seat C Jets</b> .....	1 DirectionalMax2, 1 DirectionalMax1	
<b>Seat D Jets</b> .....	2 DirectionalMax1, 2 DirectionalMax2, 2 DirectMiniMax	
<b>Seat E Jets</b> .....	2 DirectionalMax1, 2 DirectionalMax2, 2 DirectMiniMax	
<b>Footwell (F) Jets</b> .....	2 DirectionalMax1	
<b>Massage Selectors</b> .....	N/A	
<b>Air Controls</b> .....	2	
<b>Water Management System</b> .....	One Easy Kleen 30 ft <sup>2</sup> filter cartridge; Optional factory installed Ozone <b>Export (50 Hz): Optional factory installed Ozone</b>	
<b>LED Lighting</b> .....	Multicolor Waterfall light; Footwell light, Exterior corner lights (8 qty)	
<b>Shell/Cabinet Colors</b> .....	Mystic Sparkle, Tuscan Sparkle, Night Sparkle, Glacier Sparkle	
<b>Headrests</b> .....	2	
<b>Waterfalls</b> .....	One with independent flow rate (on or off) adjustment; powered by pump 1	
<b>Heater:</b> .....	Hi Flow 1.0kW/4kW <b>Export (50 Hz): Hi Flow 3.0kW</b>	
<b>Electrical Requirements:</b> .....	North America (60 Hz): Convertible 120 VAC@15A or 240 VAC@30A, 40A <b>Export (50 Hz): 230-240V@1x16A, 1X32A</b>	
<b>Warranty*</b> .....	North America (60 Hz): 5 Years Shell, 5 Years Shell Surface, 2 Years Plumbing Component Leaks, 2 Years Equipment and Controls, 5 Years Cabinet, 2 Years Jets, 1 Year Lights; <b>Export (50 Hz): 5 Years Shell, 5 Years Shell Surface, 2 Years Plumbing Component Leaks, 2 Years Equipment and Controls, 2 Years Cabinet, 2 Years Jets, 2 Years Lights;</b>	
<b>Special Features</b> .....	Optional Suite Package Add-On	

\*(See Warranty Document for Specific Details)

Dimensions/Specifications Subject To Change Without Notice

# Sundance Splash Paisley

## Operation/Seat Depths



- (A) Topside Control - Activate Jets Pump, Light and Control Water Temperature
  - (B) Air Control - Activates Seat A Jets (1 DirectionalMax1 Jet, 1 DirectionalMax2 Jet), Seat B Jets (2 DirectionalMax1 Jets), Seat C Jets (1 DirectionalMax1 Jet, 1 DirectionalMax2 Jet), Footwell Jets (2 DirectionalMax2 Jets)
  - (C) Air Control - Activates Seat D Jets (2 DirectionalMax1 Jets, 2 DirectionalMax2 Jets, 2 DirectMiniMax Jets), Seat E Jets (2 DirectionalMax1 Jets, 2 DirectionalMax2 Jets, 2 DirectMiniMax Jets)
  - (D) Water Feature Control - Controls Water Feature Output.
- Jet Pump 1: All seats and footwell jets

### 20 Total Jets

DirectionalMax1  
Jets (10)

DirectionalMax2  
Jets (6)

DirectMiniMax  
Jets (4)



Spa Operation Subject To Change Without Notice

## SEAT DEPTHS

- A = 26.50" (67.31 cm)
- B = 26.25" (66.68 cm)
- C = 26.50" (67.31 cm)
- D = 26.25" (66.68 cm)
- E = 28.30" (71.87 cm)
- F = 18.00" (45.72 cm)
- G = 30.50" (77.47 cm)

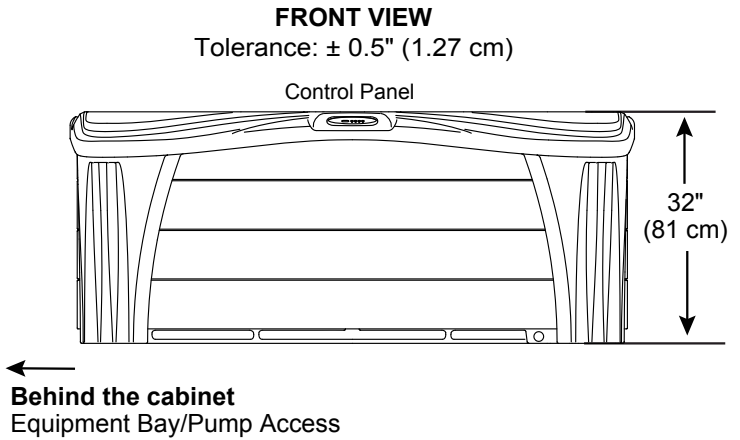
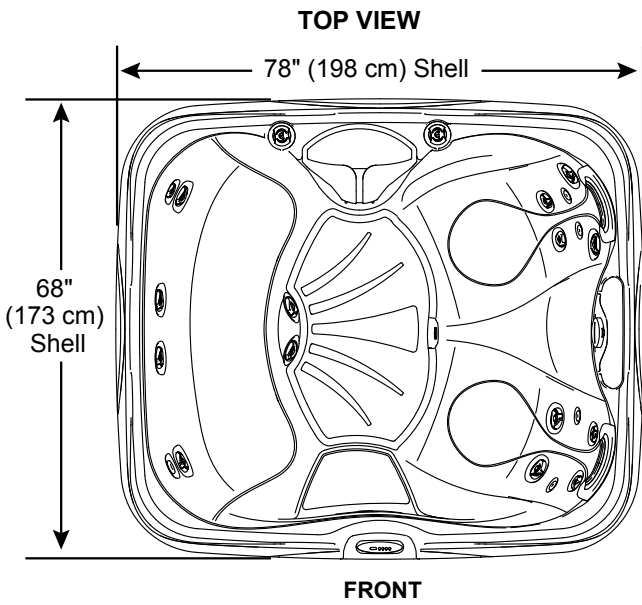
Listed dimensions represent distance from top of spa to lowest point in seat.  
Tolerance: ± 0.5" (1.27 cm)



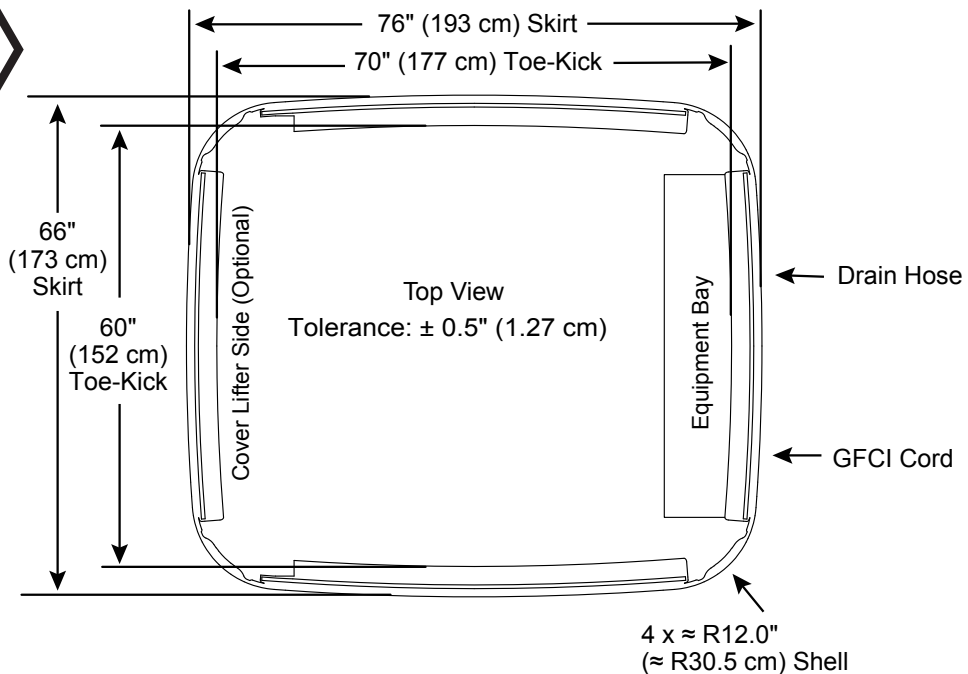
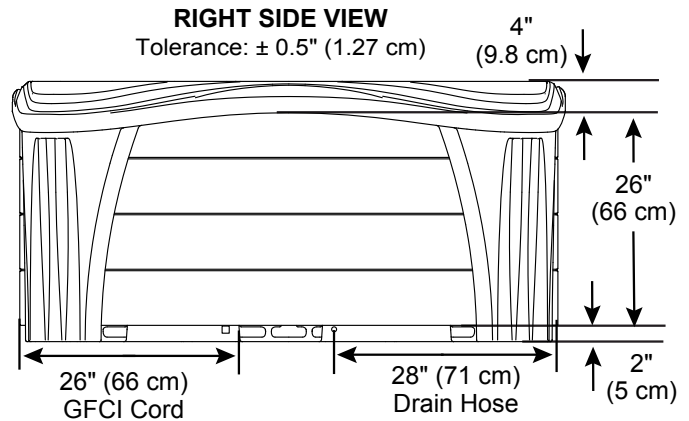
Dimensions/Specifications Subject To Change Without Notice

# Sundance Splash Paisley

## Portable Dimensions



**IMPORTANT! Always measure each hot tub for exact dimensions BEFORE designing its foundational support and/or decking.**



Dimensions/specifications subject to change without notice. Tolerance:  $\pm 0.5"$  (1.27 cm)

Dimensions/Specifications Subject To Change Without Notice