

Sundance® Spas

Hot Tub Specification Handbook



Important Safety Instructions - All Models



©2021 Sundance® Spas, Inc. Sundance® Spas may make product modifications and enhancements. Therefore, specifications may change without notice. Dimensions are approximate and for reference only.



CAUTION: Always measure each hot tub for exact dimensions before designing its foundational support and/or decking.



When designing a foundational support, always account for the following load factors:

1. Filled hot tub weight, plus (+)
2. Combined occupant weight at maximum seating capacity, plus (+)
3. Weight of support decking, when applicable.



The technical data given in this publication is for reference purposes only. It implies no warranty of any kind.



Spa specifications, dimensions and operations are subject to change without notice.

Sundance® Splash™ Berkeley™ 40 Jets

Specifications

Seating Capacity	6 Adults
Perimeter	312" (792.5 cm)
Dimensions	78" x 78" x 36" (198 cm x 198 cm x 91 cm);
Dry Weight	416 lbs (189 kg)
Filled Weight (Spa Volume)	3,894 lbs (1,766 kg)
Filled Weight (Average Fill)	3,001 lbs (1,361 kg)
Water Capacity (Spa Volume)	417 US gallons (1,579 Liters)
Water Capacity (Average Fill)	310 US gallons (1,173 Liters)
Electronic Controls	Digital Touch Controller. Offers customizing of cleaning cycles and water temperature setting.
Pump 1	North America (60 Hz): 2-Speed, 2.0 HPR continuous Export (50 Hz): N/A
Pump 2	North America (60 Hz): 1-Speed, 2.5 HPR continuous Export (50 Hz): N/A
Circulation Pump	N/A
Total Jets	40
Seat A Jets	6 DirectionalMax1, 6 DirectionalMax2, 3 DirectMiniMax
Seat B Jets	1 DirectionalMax1, 1 DirectMiniMax
Seat C Jets	6 DirectionalMax2, 2 DirectMiniMax
Seat D Jets	2 DirectionalMax1, 2 DirectMiniMax
Seat E Jets	4 DirectionalMax1, 2 DirectionalMax1, 2 DirectMiniMax
Seat F Jets	1 DirectionalMax1
Footwell (G)	2 DirectionalMax1
Massage Selectors	N/A
Air Controls	3
Water Management System	One Easy Kleen 30 ft ² filter cartridge; Optional factory installed Ozone Export (50 Hz): N/A
LED Lighting	Multicolor Waterfall light; Footwell light, Exterior corner lights (8 qty)
Shell/Cabinet Colors	Mystic Sparkle, Tuscan Sparkle, Night Sparkle, Glacier Sparkle
Headrests	3
Waterfalls	One with independent flow rate (on or off) adjustment; powered by pump 1
Heater	Hi Flow 4kW Export (50 Hz): N/A
Electrical Requirements:	North America (60 Hz): 240 VAC@50A Export (50 Hz): N/A
Warranty*	North America (60 Hz): 5 Years Shell, 5 Years Shell Surface, 2 Years Plumbing Component Leaks, 2 Years Equipment and Controls, 5 Years Cabinet, 2 Years Jets, 1 Year Lights; Export (50 Hz): N/A
Special Features	Optional Suite Package Add-On

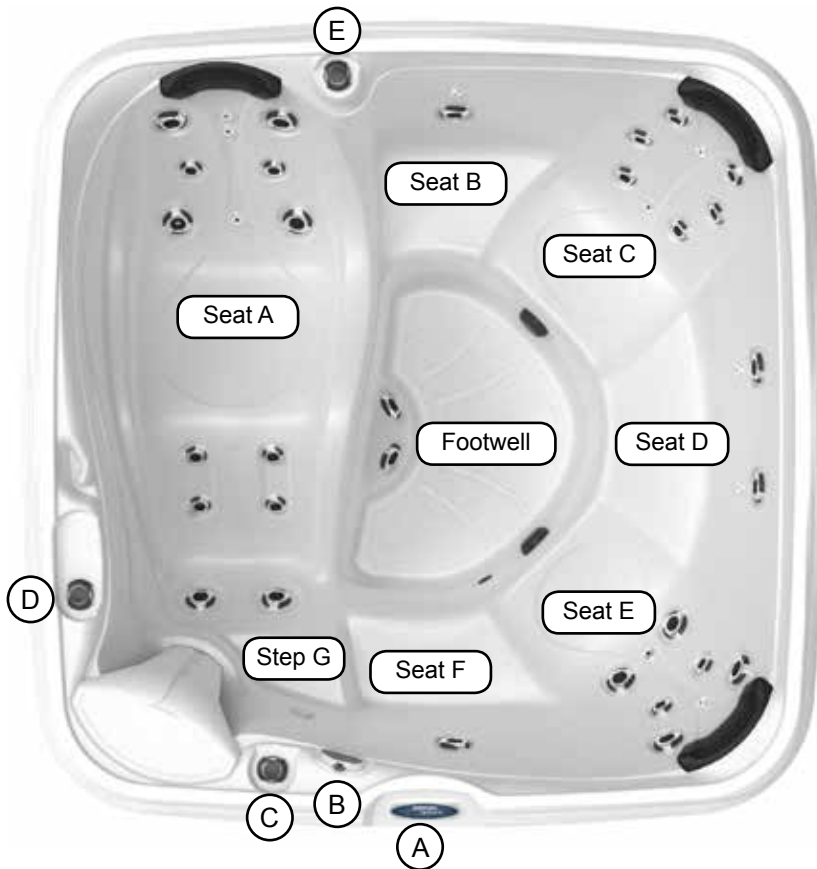


*(See Warranty Document for Specific Details)

Dimensions/Specifications Subject To Change Without Notice

Sundance Splash Berkeley 40 Jets

Operation/Seat Depths



- (A) Topside Control - Activate Jet Pumps, Light and Control Water Temperature
 - (B) Water Feature Control - Controls Water Feature Output.
 - (C) Air Control - Activates Seat D Jets (2 DirectionalMax1 Jets, 2 DirectMiniMax Jets), Seat E Jets (4 DirectionalMax1 Jets, 2 DirectionalMax2 Jets, 2 DirectMiniMax Jets), Seat F Jets (1 DirectionalMax1 Jets)
 - (D) Air Control - Activates Seat A Jets (6 DirectionalMax1 Jets, 6 DirectionalMax2 Jets, 3 DirectMiniMax Jets)
 - (E) Air Control - Activates Seat B Jets (1 DirectionalMax1 Jet, 1 DirectMiniMax Jet), Seat C Jets (6 DirectionalMax2 Jets, 2 DirectMiniMax Jets), Footwell Jets (2 DirectionalMax1 Jets)
- Jet Pump 1: Seats B, C, D, E, F and footwell jets
 - Jet Pump 2: Seat A

40 Total Jets

DirectionalMax1
Jets (16)

DirectionalMax2
Jets (14)

DirectMiniMax
Jets (10)



Spa Operation Subject To Change Without Notice

SEAT DEPTHS

- A = 25.75" (65.40 cm)
- B = 24.50" (62.23 cm)
- C = 28.00" (71.12 cm)
- D = 24.75" (62.86 cm)
- E = 26.50" (67.30 cm)
- F = 23.25" (59.06 cm)
- G = 19.00" (48.26 cm)
- H = 34.50" (87.63 cm)

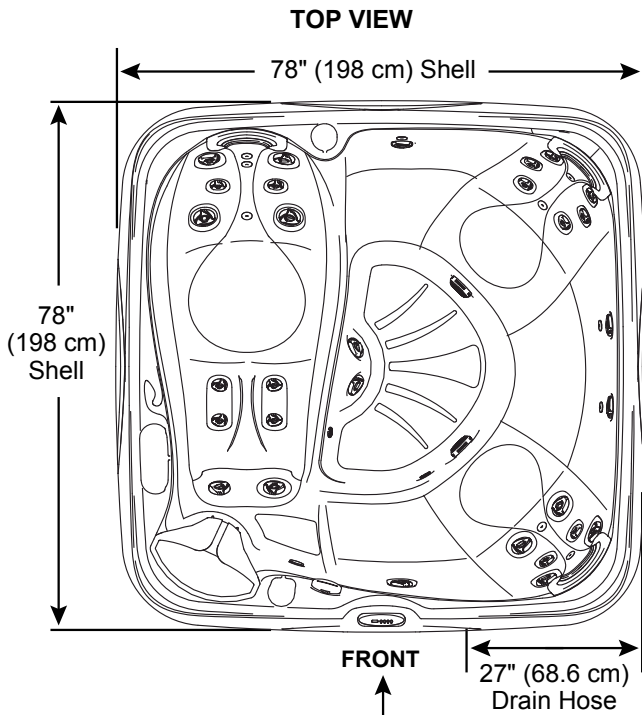
Listed dimensions represent distance from top of spa to lowest point in seat.
Tolerance: ± 0.5" (1.27 cm)



Dimensions/Specifications Subject To Change Without Notice

Sundance Splash Berkeley 40 Jets

Portable Dimensions



Behind the cabinet
Equipment Bay/Pump Access

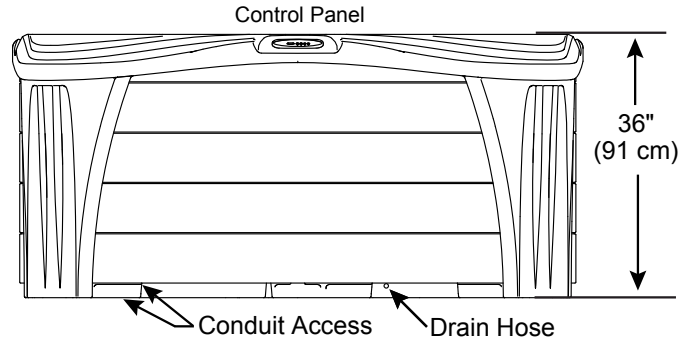


IMPORTANT! Always measure each hot tub for exact dimensions BEFORE designing its foundational support and/or decking.



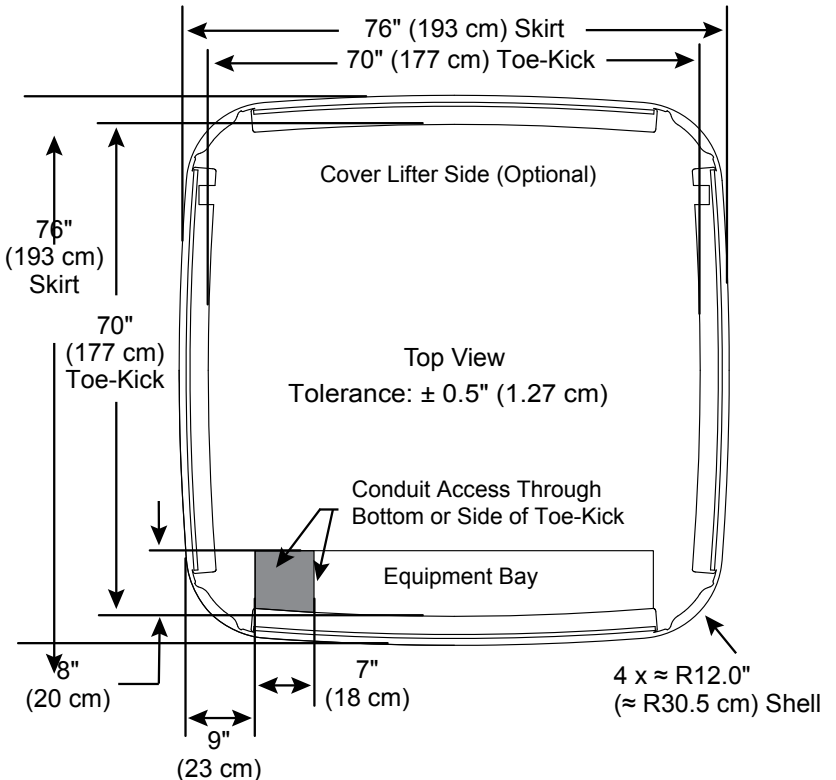
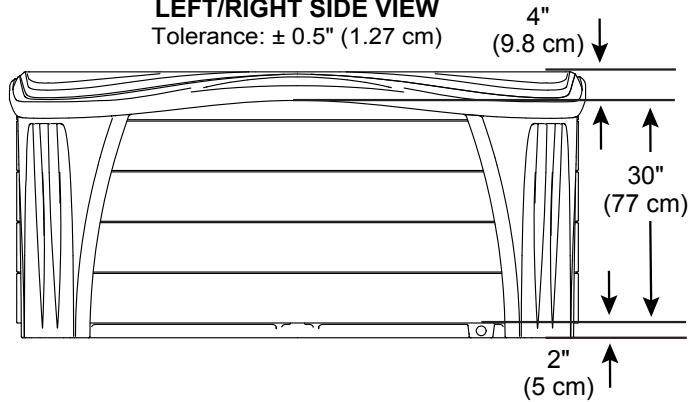
FRONT VIEW

Tolerance: $\pm 0.5"$ (1.27 cm)



LEFT/RIGHT SIDE VIEW

Tolerance: $\pm 0.5"$ (1.27 cm)



Dimensions/specifications subject to change without notice. Tolerance: $\pm 0.5"$ (1.27 cm)

Dimensions/Specifications Subject To Change Without Notice