

Sundance® Spas

Hot Tub Specification Handbook



Important Safety Instructions - All Models



©2021 Sundance® Spas, Inc. Sundance® Spas may make product modifications and enhancements. Therefore, specifications may change without notice. Dimensions are approximate and for reference only.



CAUTION: Always measure each hot tub for exact dimensions before designing its foundational support and/or decking.



When designing a foundational support, always account for the following load factors:

1. Filled hot tub weight, plus (+)
2. Combined occupant weight at maximum seating capacity, plus (+)
3. Weight of support decking, when applicable.




The technical data given in this publication is for reference purposes only. It implies no warranty of any kind.



Spa specifications, dimensions and operations are subject to change without notice.

Sundance® Spas 680 Edison®

Specifications

Dimensions:	84" x 84" x 36" (213.5 cm x 213.5 cm x 91.44 cm)	
Perimeter	336" (853.4 cm)	
Seating Capacity:	6 Adults	
Dry Weight:	758 lbs (344 kg)	
Filled Weight (Spa Volume):	4,511 lbs (2,046 kg)	
Filled Weight (Average Fill):	3,677 lbs (1,668 kg)	
Water Capacity (Spa Volume):	450 US Gal (1,703 Liters)	
Water Capacity (Average Fill):	350 US Gal (1,325 Liters)	
Controls:	Solid-State Electronic Controls with LCD Readout, Programmable Water Temperature, Filtration, and Heat Cycles	
Water Delivery:	2 High-Flow Pump	
Pump 1:	North America (60 Hz): 2-Speed/2.5 HP Continuous, 11.0A Max., 56 Frame Export (50 Hz): 2-Speed/2.0 HP continuous, 8.0A max.	
Pump 2:	North America (60 Hz): 1-Speed/2.5 HP Continuous, 10A max., 56 Frame Export (50 Hz): 1-Speed/2.0 HP continuous, 8.0A max.	
Total Hydrojets:	35	
Seat A Jets:	3 DXL, 1 DVX	
Seat B Jet:	2 DL	
Seat C Jets:	2 DX, 4 DVR	
Seat D Jet:	2 DST	
Seat E Jets:	2 DX, 6 DL	
Seat F Jet:	1 DL, 4 DXL	
Foot Well Jets (G):	8 DL	
Air Controls/Massage Selectors: ...	3 Air Control; No Massage Selector	
Filter:	50 ft ² Filter Cartridge System	
Water Treatment:	Factory installed CLEARRAY® Active Oxygen System	
Lighting:	CL Lighting LED System (Interior Surround)	
Synthetic Cabinet:	Available in Coastal, Mahogany, Autumn Walnut	
Shell Colors:	North America: Platinum, Celestite (Gypsum), Sahara, Monaco, Midnight, Porcelain Export (50 Hz): All North America colors	
Headrest:	Four, 1-piece gray	
Heater:	North America (60 Hz): 5.5 kW 240V High Flow Standard Export (50 Hz): 2.7 kW High Flow Standard	
Electrical Requirements:	North America (60 Hz): 240 VAC@40A, 50A or 60A Export (50 Hz): 230-240 VAC@1x20A or 1x32A, 2x16A or 1x16A/1x20A or 3x16A (see manual for more configurations); or Suitably Rated Circuit Breaker to Comply with Local Electrical Regulations. Certain Countries May Require 2 Power Inputs; Two GFCI/RCD Breakers are Required for This Configuration.	
Limited Warranty*:	North America (60 Hz): 5 Years Shell, 3 Years Shell Surface, 3 Years Plumbing Component Leaks, 3 Years Equipment and Controls, 1 Year Cabinet, 1 Year Jets, 1 Year Stereo Export (50 Hz): 5 Years Shell, 3 Years Shell Surface, 3 Years Plumbing Component Leaks, 3 Years Equipment and Controls, 1 Year Cabinet, 1 Year Jets, 2 Years Stereo	
Waterfall Feature:	Variable Valve Control	
Audio System (Optional):	N/A	
Speial Features (Optional):	Factory Installed SmartTub™ module	
Alternative Insulation (Option):	Yes	

*(See Warranty Document for Specific Details)

Dimensions/Specifications Subject To Change Without Notice

Sundance Spas 680 Edison

Operation/Seat Depths



- (A)** Air control - Activates Seat A Jets (1 DVX, 3 DXL) + Footwell Jets (2 DL)
 - (B)** Waterfall Selector [Pump 1] - Controls Waterfall Output
 - (C)** Air Control - Activates Seat D Jets (2 DST, 3 DXL) + Footwell Jets (2 DL)
 - (D)** Air Control - Activates Seat C Jets (2 DX, 4 DVR) + Seat F Jet (1 DL, 4 DXL) + Footwell Jets (4 DL)
- Jets Pump 1: Powers Seat A Jets + Seat D Jets + Seat E + Footwell Jets (qty 4) + Waterfall when running
 - Jets Pump 2: Seat C Jets + Seat F Jets + Footwell Jets (qty 4) when running

35 Total Jets (Stainless Steel Escutcheons Standard)



Spa Operation Subject To Change Without Notice

SEAT DEPTHS

A = 25.38" (64.45 cm)
B = 25.00" (63.50 cm)
C = 26.25" (66.68 cm)
D = 22.00" (55.88 cm)
E = 25.63" (65.09 cm)
F = 20.63" (52.39 cm)

G = 26.63" (67.63 cm)
H = 16.00" (40.64 cm)
H = 31.88" (80.96 cm)

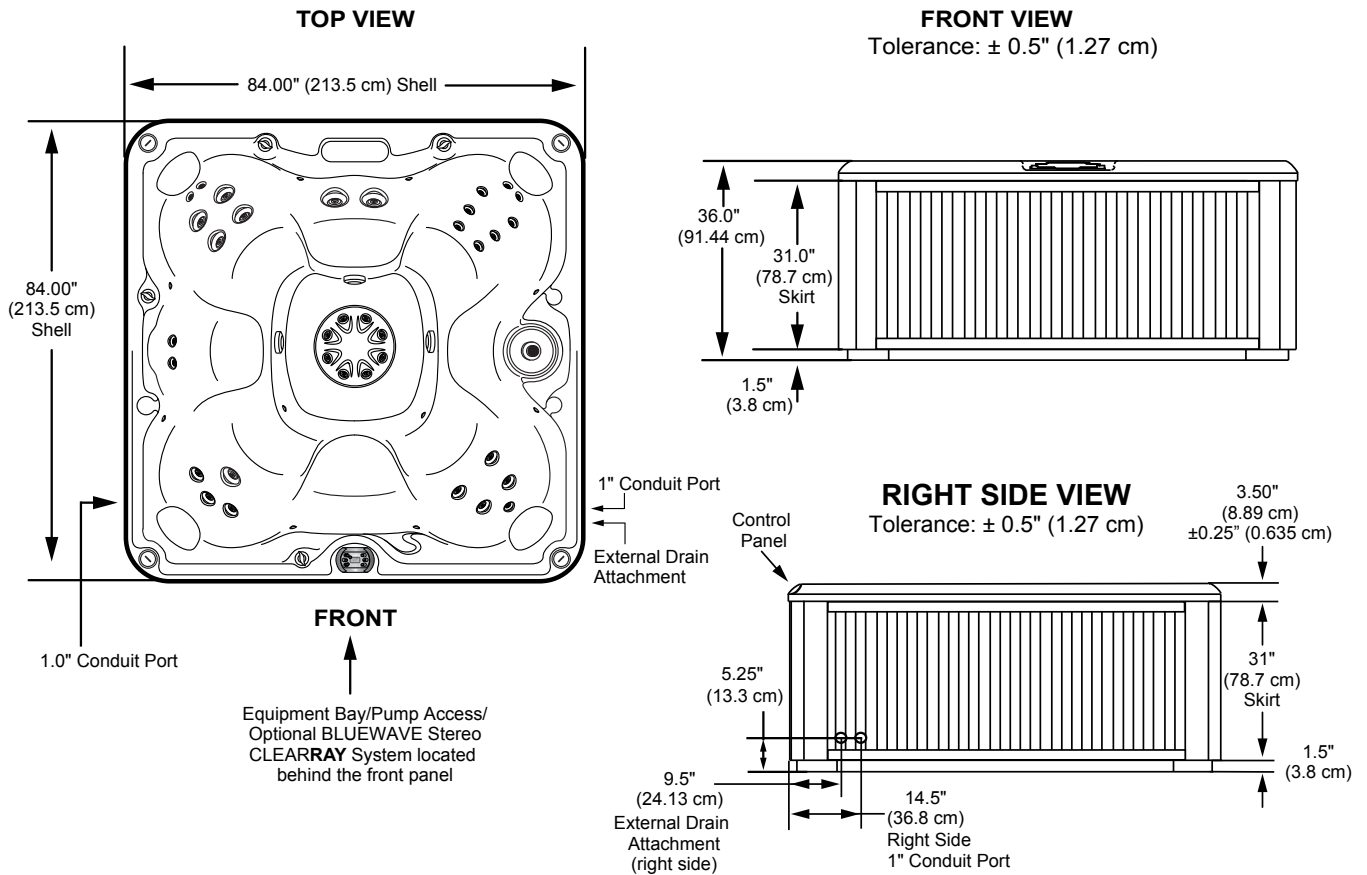
Listed dimensions represent distance from top of acrylic to lowest point in seat. **Tolerance ± 0.5" (1.27 cm).**



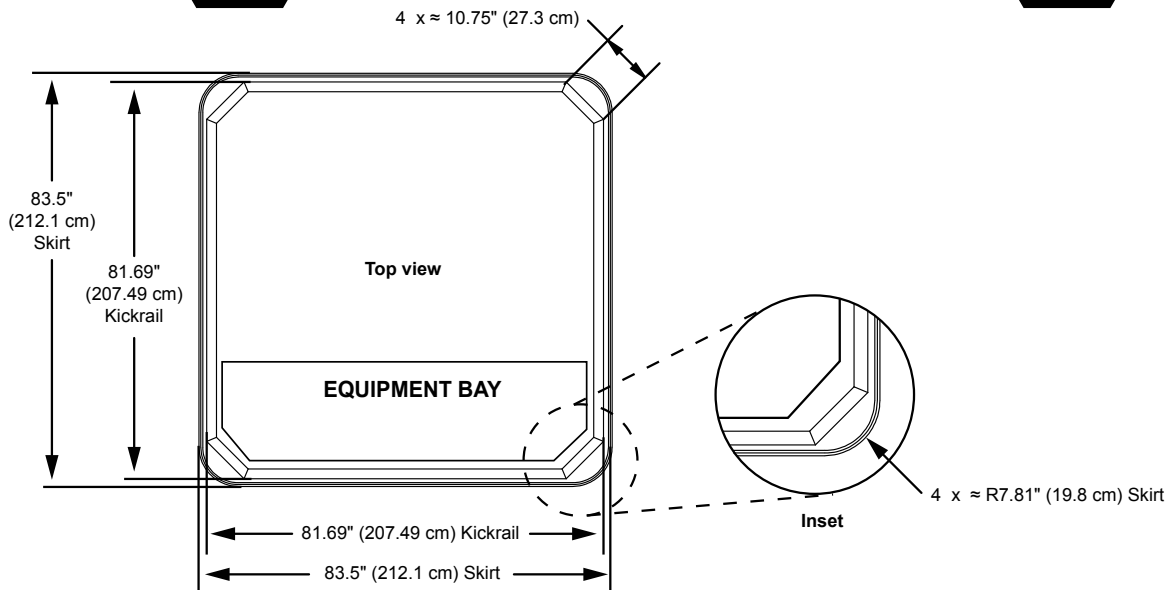
Dimensions/Specifications Subject To Change Without Notice

Sundance Spas 680 Edison

Portable Dimensions



IMPORTANT! Always measure each hot tub for exact dimensions BEFORE designing its foundational support and/or decking.



Dimensions/specifications subject to change without notice. Tolerance: $\pm 0.5"$ (1.27 cm)

Dimensions/Specifications Subject To Change Without Notice