

Sundance® Spas

Hot Tub Specification Handbook



Important Safety Instructions - All Models



©2021 Sundance® Spas, Inc. Sundance® Spas may make product modifications and enhancements. Therefore, specifications may change without notice. Dimensions are approximate and for reference only.



CAUTION: Always measure each hot tub for exact dimensions before designing its foundational support and/or decking.



When designing a foundational support, always account for the following load factors:

1. Filled hot tub weight, plus (+)
2. Combined occupant weight at maximum seating capacity, plus (+)
3. Weight of support decking, when applicable.




The technical data given in this publication is for reference purposes only. It implies no warranty of any kind.



Spa specifications, dimensions and operations are subject to change without notice.

Sundance® Spas 680 Denali®

Specifications

Dimensions:	78.5" Round x 36" (200 cm Round x 91.5 cm)	
Perimeter	384" (975.4 cm)	
Seating Capacity:	4 Adults	
Dry Weight:	560 lbs (254 kg)	
Filled Weight (Spa Volume):	3,062 lbs (1,389 kg)	
Filled Weight (Average Fill):	2,562 lbs (1,162 kg)	
Water Capacity (Spa Volume):	300 US Gal (1,136 Liters)	
Water Capacity (Average Fill):	240 US Gal (908 Liters)	
Controls:	Solid-State Electronic Controls with LCD Readout, Programmable Water Temperature, Filtration, and Heat Cycles	
Water Delivery:	1 High Flow Pump	
Pump 1:	North America (60 Hz): 1.5 HP/2-Speed Continuous, 11.0A max., 48 Frame Export (50 Hz): 2.0 HP/2-Speed Continuous, 8.0A max.	
Total Hydrojets:	20	
Seat A Jets:	3 DXL	
Seat B Jets:	3 DVX	
Seat C Jets:	8 DX	
Seat D Jets:	4 DXL	
Footwell Jet (E):	1 DVX	
Divert-A-Jet:	1	
Air Controls/Massage Selectors:	3 Air Controls; No Massage Selectors	
Filter:	50 ft ² Filter Cartridge System	
Water Treatment:	Factory installed CLEARRAY® Active Oxygen System	
Lighting:	SunGlow Multi-Color LED Light	
Synthetic Cabinet:	Available in Coastal, Mahogany, Autumn Walnut	
Shell Colors:	North America: Platinum, Celestite (Gypsum), Sahara, Monaco, Midnight, Porcelain Export (50 Hz): All North American colors	
Heater:	North America (60 Hz): High-Flow, 1 kW@120 VAC or Convertible to 4 kW@240 VAC; Export (50 Hz): High-Flow, 2.7 kW	
Electrical Requirements:	North America Convertible Model (60 Hz): 120 VAC@15A with Supplied GFCI Cord or 240 VAC@30A or 40A (Hard Wired Only); Export (50 Hz): 230-240 VAC@1x20A or 2x16A (see manual for more configurations); or Suitably Rated Circuit Breaker to Comply with Local Electrical Regulations. Certain Countries May Require 2 Power Inputs; Two GFCI/RCD Breakers are Required for This Configuration.	
Limited Warranty*:	North America (60 Hz): 5 Years Shell, 3 Years Shell Surface, 3 Years Plumbing Component Leaks, 3 Years Equipment and Controls, 1 Year Cabinet, 1 Year Jets Export (50 Hz): 5 Years Shell, 3 Years Shell Surface, 3 Years Plumbing Component Leaks, 3 Years Equipment and Controls, 1 Year Cabinet, 1 Year Jets	
Audio System (Optional):	Audio System Not Offered on This Model	
Special Features:	Factory Installed SmartTub™ module	
Insulation EPS (Option):	N/A	

*(See Warranty Document for Specific Details)

Dimensions/Specifications Subject To Change Without Notice

Sundance Spas 680 Denali

Operation/Seat Depths



- (A)** Air Control - Activates the Divert-A-Jet (D)
- (B)** Air Control - Activates Seat A Jets (3 DXL), Seat B Jets (3 DVX), Seat D Jets (4 DXL)
- (C)** Air Control - Activates Seat C Jets (8 DX) and Footwell Jet (1 DVX)
- (D)** Divert-A-Jet - Adjusts Massage Levels Between itself and Seat A Jets + Seat B Jets + Seat D Jets

Seat C Jets + All Footwell Jets are on all the time when the jets pump is running.

20 Total Jets (Stainless Steel Standard except Divert-A-Jet)



Spa Operation Subject To Change Without Notice

SEAT DEPTHS

- A = 24.75" (62.87 cm)**
- B = 26.75" (67.95 cm)**
- C = 26.75" (67.95 cm)**
- D = 26.75" (67.95 cm)**
- E = 17.00" (43.18 cm)**
- F = 32.00" (81.28 cm)**

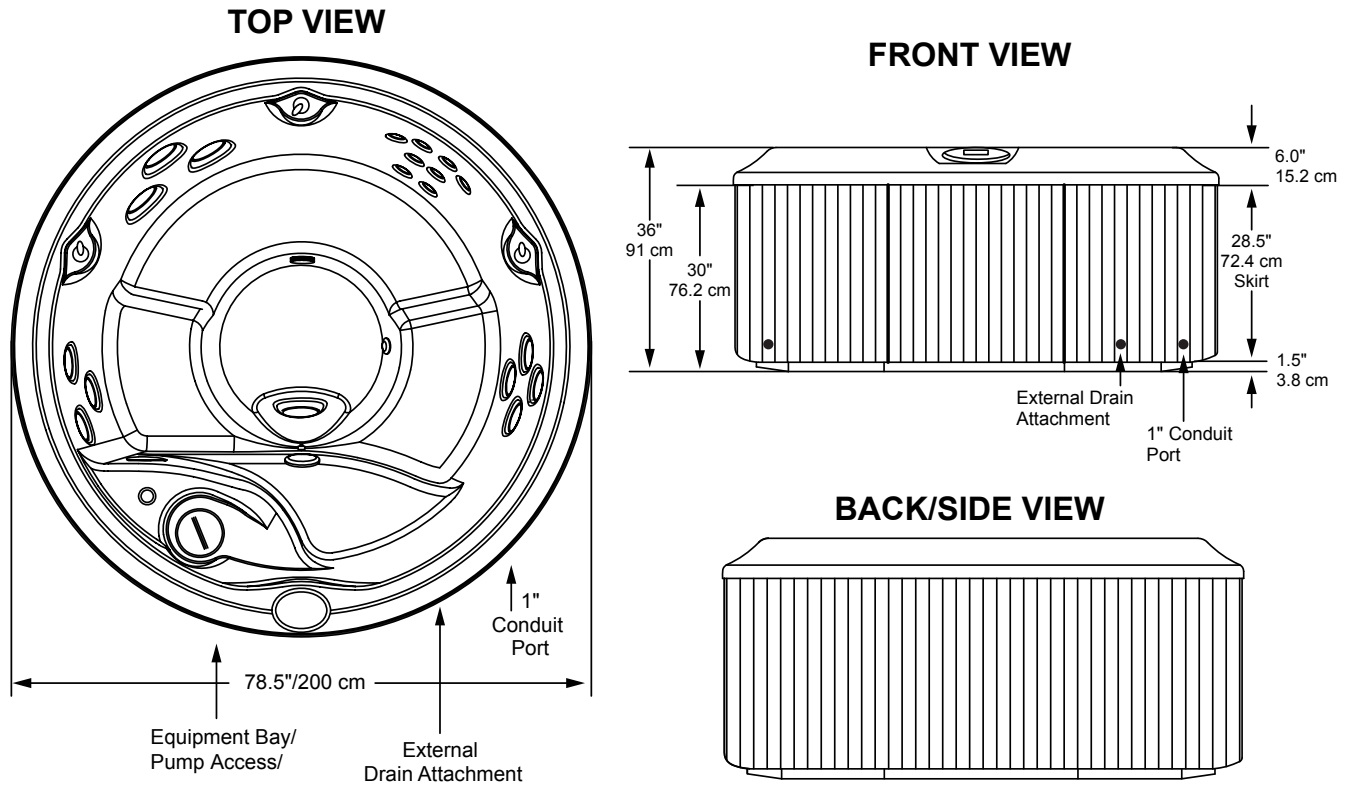
Listed dimensions represent distance from top of acrylic to lowest point in seat. **Tolerance $\pm 0.5"$ (1.27 cm).**



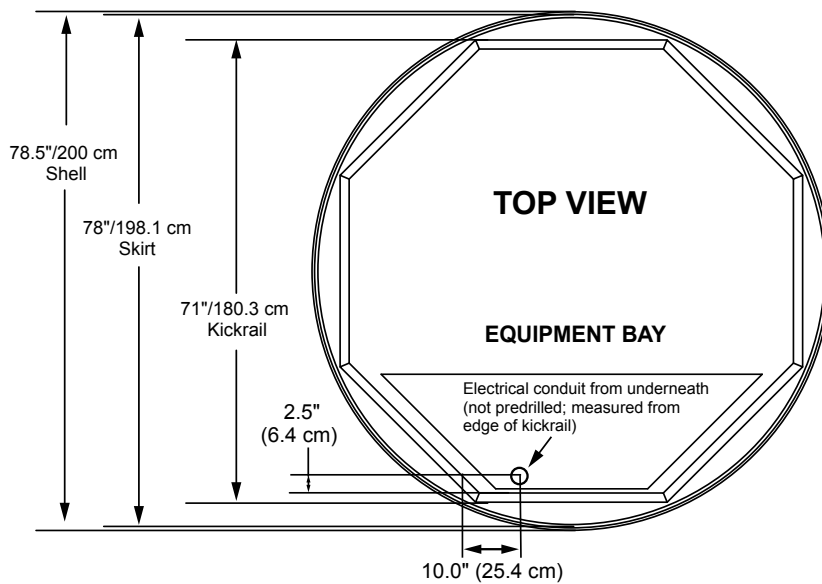
Dimensions/Specifications Subject To Change Without Notice

Sundance Spas 680 Denali

Portable Dimensions



IMPORTANT! Always measure each hot tub for exact dimensions BEFORE designing its foundational support and/or decking.



Dimensions/specifications subject to change without notice. Tolerance: $\pm 0.5"$ (1.27 cm)

Dimensions/Specifications Subject To Change Without Notice